

NOTES:

1. INTERPRET CALLOUTS/SYMBOLS PER ASME Y14.5M-1994
2. REFERENCE RECOMMENDED MOUNTING DETAIL 15-026-02.
3. RF PERFORMANCE CHARACTERISTICS REPRESENT AN INDIVIDUAL RELAY WHEN TESTED USING FLANGE TYPE "SMA" CONNECTOR LAUNCHERS. PERFORMANCE VALUES ARE SUBJECT TO AND MAY DEVIATE BASED ON END USER DISCRETION OF PCB TO RELAY LAUNCH TRANSITION DESIGN.
4. VERIFICATION OF CHARACTERISTICS ARE IN REFERENCE WITH MIL -S- 3928.
5. RECOMMENDED PULSE WIDTH DURATION FOR SWITCHING RELAY, 50-500 MILLISECONDS.

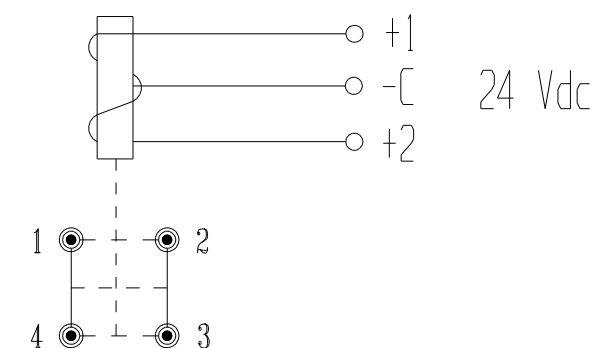
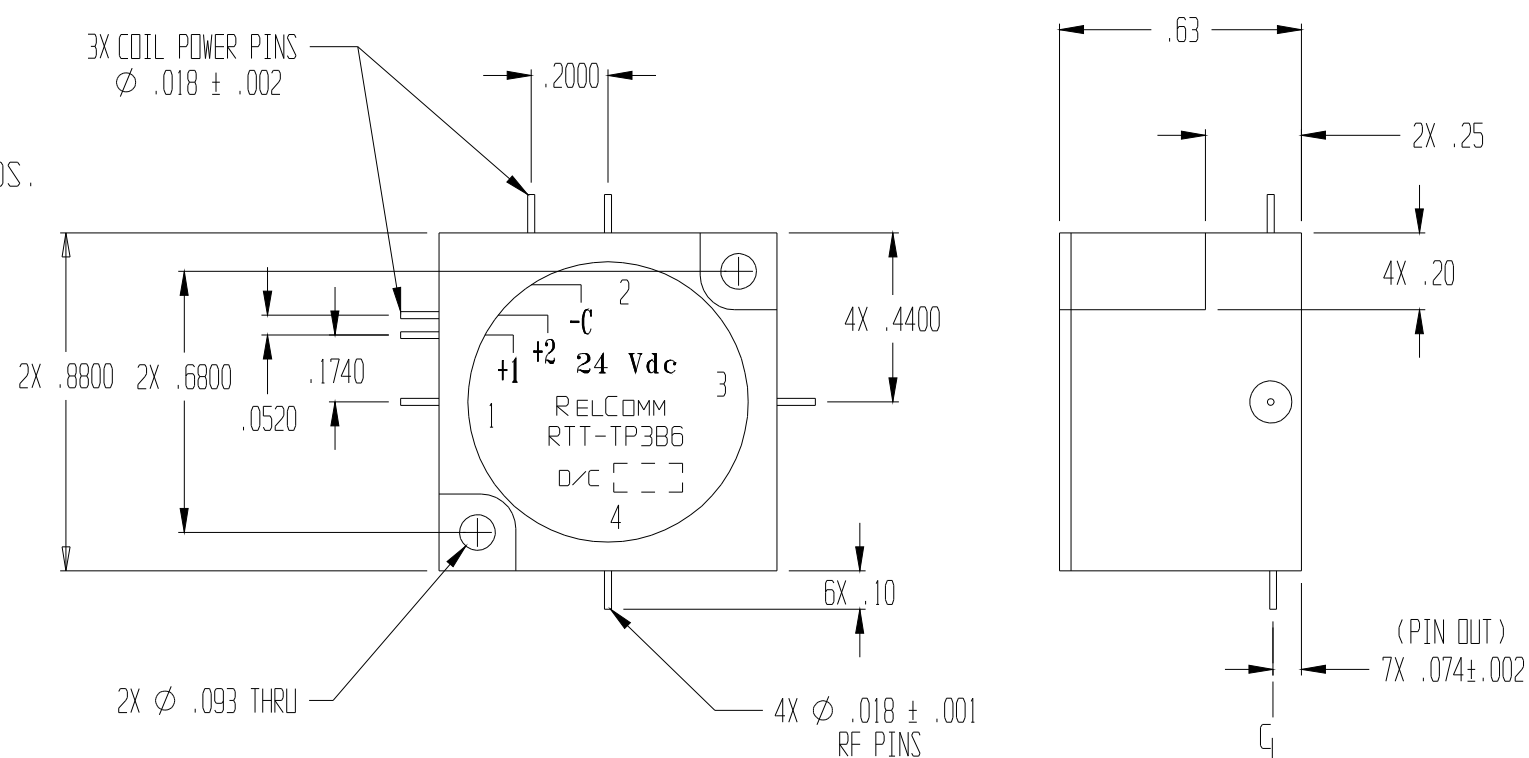
CHARACTERISTICS:

NOMINAL IMPEDANCE (OHM) -----	50			
FREQUENCY RANGE (GHz) -----	DC-1	1-2	2-3	3-6
V.S.W.R. (MAX) -----	1.1:1	1.15:1	1.2:1	1.3:1
INSERTION LOSS (dBMAX) -----	0.10	0.15	0.20	0.30
ISOLATION (dB MIN) -----	60	60	60	60
AVERAGE POWER(WATTS TYP)-----	65	45	35	25

TEMPERATURE RANGE (OPERATING) --	-40° C - +85° C
TEMPERATURE RANGE (STORAGE) ----	-55° C - +100° C
OPERATING VOLTAGE (OVER TEMP) --	21.5 - 26.5 Vdc
SWITCHING VOLTAGE (MIN @ 25° C) -	18 Vdc
OPERATING CURRENT (mA MAX) -----	148 @ 24 Vdc & 25° C (3.25 WATT NOM)
SWITCHING TIME (MAX) -----	10MSEC @ 24 Vdc & 25° C
SWITCHING ACTION (LATCHING)-----	BREAK BEFORE MAKE
LIFE (MINIMUM)-----	1 * 10 ⁶ CYCLES
WEIGHT (OZ) -----	0.9 NOM

MATERIALS/FINISH:

HOUSING -----	ALUMINUM/NICKEL
INSULATION ----	TEFLON
PIN OUTS -----	BRASS/GOLD



SCHEMATIC SHOWN IN POSITION 1 (+1 TERMINAL LAST ENERGIZED)

POS 1	1-4	2-3 (CLOSED)	POS 2	1-2	3-4 (CLOSED)
	1-2	3-4 (OPEN)		1-4	2-3 (OPEN)

				UNLESS OTHERWISE SPECIFIED: DIMENSIONS ARE IN INCHES AND INCLUDE PLATING. TOLERANCES .XX ± .02 FRACTIONS ± .XXX ± .010 SURFACE QUALITY .XXXX ± .0050 63/ MAX	DR B. JONES 07/20/01 CK M. MAGDA ENG B. JONES MFG QA		RELCOMM TECHNOLOGIES, INC. 610 BEAM STREET SALISBURY, MARYLAND 21801		
-	RELEASED	07/09/03	J.WMS	THIRD ANGLE PROJECTION 	THIS DRAWING AND SPECIFICATIONS ARE THE PROPERTY OF RELCOMM TECHNOLOGIES AND SHALL NOT BE REPRODUCED OR COPIED OR USED IN WHOLE OR IN PART AS THE BASIS FOR THE MANUFACTURE OR SALE OF ITEM(S) WITHOUT WRITTEN PERMISSION.				
B	ADDED NOTE 2	12/19/01			TITLE COAXIAL TRANSFER RELAY "PULSE LATCHING" COM -		SIZE B	DWG NO. RTT-TP3B6	REV -
A	PRELIMINARY	07/20/01			SCALE 2:1		DO NOT SCALE DWG	SHEET 1 OF 1	
REV	ECN NO.	DATE	APPROVAL						