

NOTES:

1. INTERPRET CALLOUTS/SYMBOLS PER ASME Y14.5M-1994
2. RECOMMENDED MATING CONNECTOR TORQUE IS 8 lb-in (90 N-cm)  
DO NOT EXCEED 12 lb-in (136 N-cm) AS DAMAGE TO CONNECTOR MAY RESULT.
3. VERIFICATION OF CHARACTERISTICS ARE IN REFERENCE WITH MIL-DTL-3928.
4. RECOMMENDED PULSE WIDTH DURATION FOR SWITCHING RELAY, 50-500 MILLISECONDS.

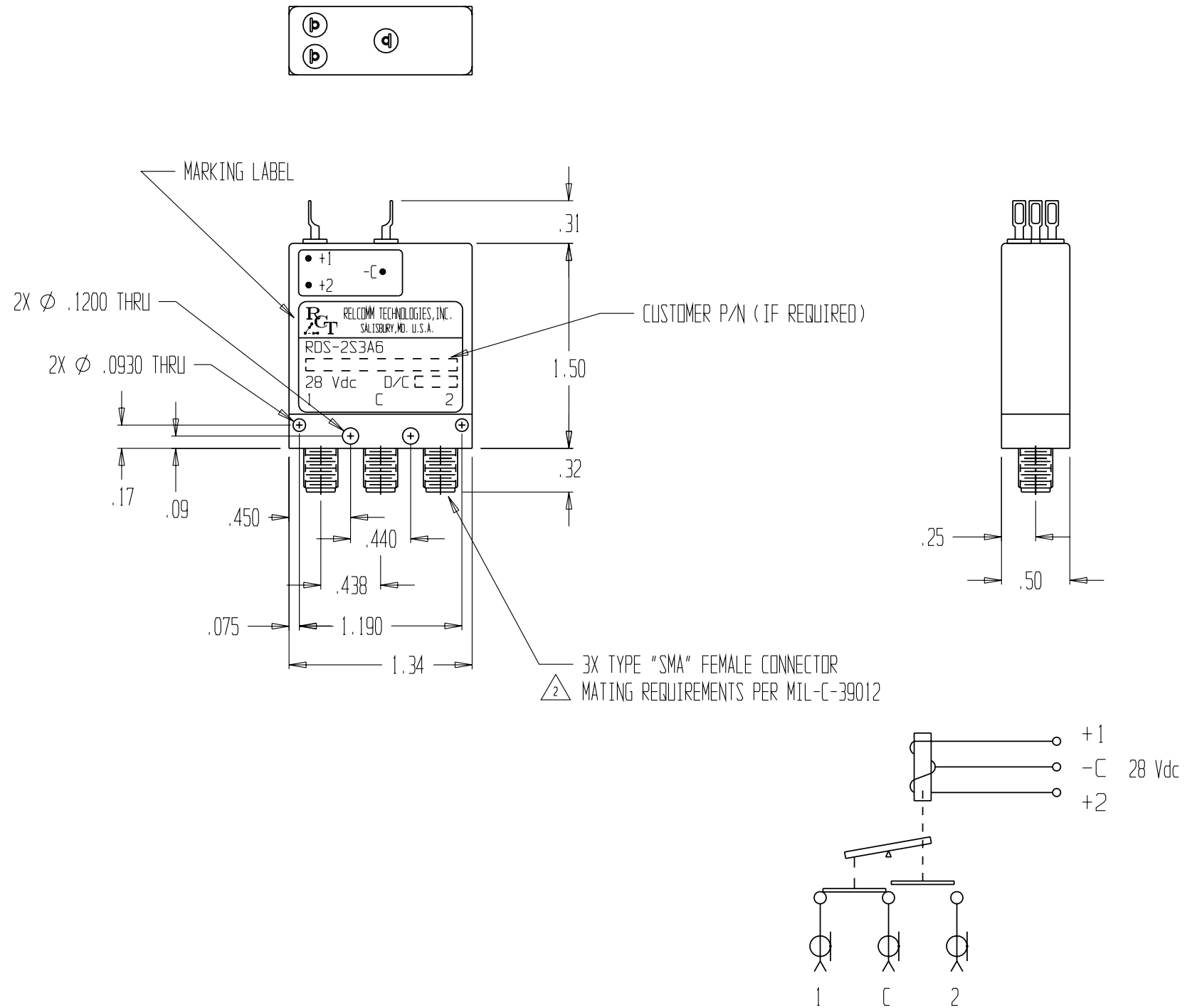
CHARACTERISTICS:

NOMINAL IMPEDANCE (OHM) -----	50			
FREQUENCY RANGE (GHz) -----	DC-1	1-2	2-4	4-6
V.S.W.R. (MAX) -----	1.10:1	1.15:1	1.20:1	1.30:1
INSERTION LOSS (dB MAX) -----	0.10	0.15	0.20	0.30
ISOLATION (dB MIN) -----	80	80	80	70
AVERAGE POWER (WATTS TYP) -----	185	120	85	60

TEMPERATURE RANGE (OPERATING) --	-40°C - +85°C
TEMPERATURE RANGE (STORAGE) ----	-55°C - +100°C
SWITCHING ACTION -----	BREAK BEFORE MAKE
OPERATING VOLTAGE (OVER TEMP) --	24 - 32 Vdc
SWITCHING VOLTAGE (MAX @ 25°C) -	20 Vdc
ACTUATING CURRENT (mA MAX) -----	82 @ 28 Vdc & 25°C
SWITCHING TIME (MAX) -----	15 mSEC
LIFE (MIN PER POSITION)-----	1 * 10 ^ 6 CYCLES
WEIGHT (OZ) -----	1.4 NOM

MATERIALS/FINISH:

HOUSING -----	ALUMINUM/NICKEL
COVER -----	ALUMINUM/BLACK ANODIZED
CONNECTORS ---	STAINLESS STEEL/PASSIVATE
INSULATION ---	TEFLON
CONTACTS -----	BERYLLIUM COPPER/GOLD
TERMINALS -----	Ni-Fe/Sn-70 SOLDER



(SCHEMATIC SHOWN IN POSITION 1) (+1 LAST ENERGIZED)

				UNLESS OTHERWISE SPECIFIED: DIMENSIONS ARE IN INCHES AND INCLUDE PLATING. TOLERANCES .XX ±.02 FRACTIONS ± .XXX ±.010 SURFACE QUALITY .XXXX ±.0050 63/ MAX	DR J.WILLIAMS 06/27/03 CK M.MAGDA 08/14/03 ENG B.JONES 09/04/03 MFG QA	<p>RELCOMM TECHNOLOGIES, INC. 610 BEAM STREET SALISBURY, MARYLAND 21801</p>	TITLE "PULSE LATCHING"	
3	1781	09/08/10	B. JONES	THIRD ANGLE PROJECTION	THIS DRAWING AND SPECIFICATIONS ARE THE PROPERTY OF RELCOMM TECHNOLOGIES AND SHALL NOT BE REPRODUCED OR COPIED OR USED IN WHOLE OR IN PART AS THE BASIS FOR THE MANUFACTURE OR SALE OF ITEMS WITHOUT WRITTEN PERMISSION.		SIZE B	DWG NO. RDS-2S3A6
2	ECN 1695	10/28/09	A. MAGDA			SCALE 1 : 1	DO NOT SCALE DWG	SHEET 1 OF 1
1	1190	12/01/04	B. JONES					
REV	ECN NO.	DATE	APPROVAL					