

NOTES:

1. INTERPRET CALLOUTS/SYMBOLS PER ASME Y14.5M-1994
2. RECOMMENDED MATING CONNECTOR TORQUE IS 8 lb-in (90 N-cm) DO NOT EXCEED 12 lb-in (136 N-cm) AS DAMAGE TO CONNECTOR MAY RESULT.
3. VERIFICATION OF CHARACTERISTICS ARE IN REFERENCE WITH MIL-DTL-3928.

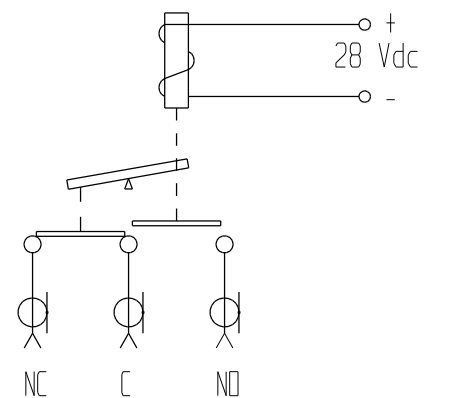
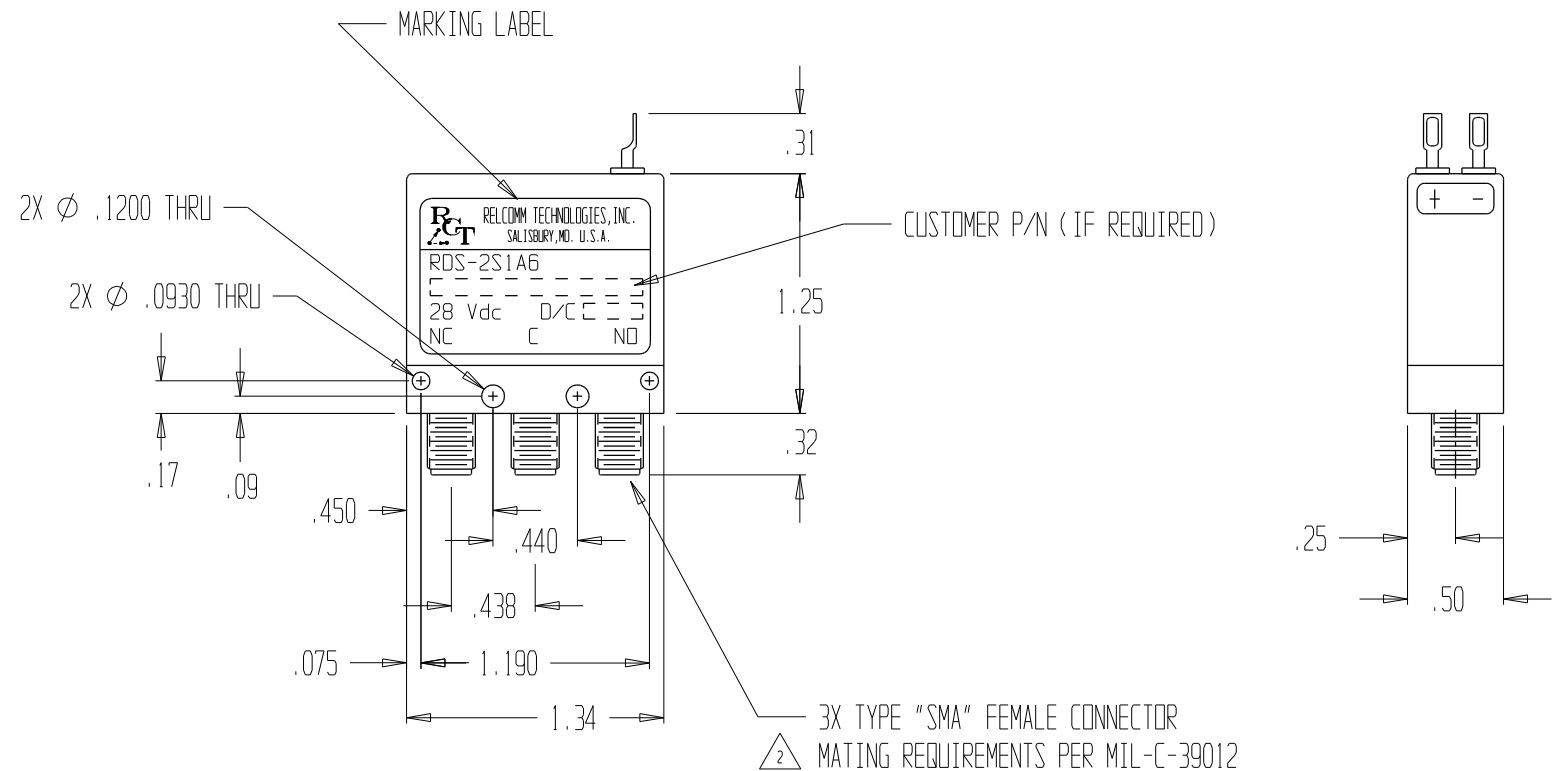
CHARACTERISTICS:

NOMINAL IMPEDANCE (OHM) -----	50			
FREQUENCY RANGE (GHz) -----	DC-1	1-2	2-4	4-6
V.S.W.R. (MAX) -----	1.10:1	1.15:1	1.20:1	1.30:1
INSERTION LOSS (dB MAX) -----	0.10	0.15	0.20	0.30
ISOLATION (dB MIN) -----	80	80	80	70
AVERAGE POWER (WATTS TYP) -----	185	120	85	60

TEMPERATURE RANGE (OPERATING) --	-40°C - +85°C
TEMPERATURE RANGE (STORAGE) ----	-55°C - +100°C
SWITCHING ACTION -----	BREAK BEFORE MAKE
OPERATING VOLTAGE (OVER TEMP) --	24 - 32 Vdc
PICKUP VOLTAGE (MAX @ 25°C) ----	20 Vdc
DROPOUT VOLTAGE -----	> 2 Vdc
ACTUATING CURRENT (mA MAX) ----	114 @ 28 Vdc & 25°C
SWITCHING TIME (MAX) -----	15 mSEC
LIFE (MIN PER POSITION)-----	1 * 10^6 CYCLES
WEIGHT (OZ) -----	1.0 NDM

MATERIALS/FINISH:

HOUSING -----	ALUMINUM/NICKEL
COVER -----	ALUMINUM/BLACK ANODIZED
CONNECTORS ---	STAINLESS STEEL/PASSIVATE
INSULATION ---	TEFLON
CONTACTS -----	BERYLLIUM COPPER/GOLD
TERMINALS -----	Ni-Fe/Sn-70 SOLDER



SCHEMATIC SHOWN IN DE-ENERGIZED POSITION

				UNLESS OTHERWISE SPECIFIED: DIMENSIONS ARE IN INCHES AND INCLUDE PLATING. TOLERANCES .XX ±.02 FRACTIONS ± .XXX ±.010 SURFACE QUALITY .XXXX ±.0050 63/ MAX	DR J. WILLIAMS 06/27/03 CK M. MAGDA ENG B. JONES MFG QA	<p>RELCOMM TECHNOLOGIES, INC. 610 BEAM STREET SALISBURY, MARYLAND 21801</p>	TITLE COAXIAL 1P2T RELAY "FAILSAFE"	
1	ECN 1693	9/28/09	B. JONES	THIRD ANGLE PROJECTION 	THIS DRAWING AND SPECIFICATIONS ARE THE PROPERTY OF RELCOMM TECHNOLOGIES AND SHALL NOT BE REPRODUCED OR COPIED OR USED IN WHOLE OR IN PART AS THE BASIS FOR THE MANUFACTURE OR SALE OF ITEM(S) WITHOUT WRITTEN PERMISSION.		SIZE B	DWG NO. RDS-2S1A6
REV	ECN NO.	DATE	APPROVAL			SCALE 1 : 1	DO NOT SCALE DWG	SHEET 1 OF 1