

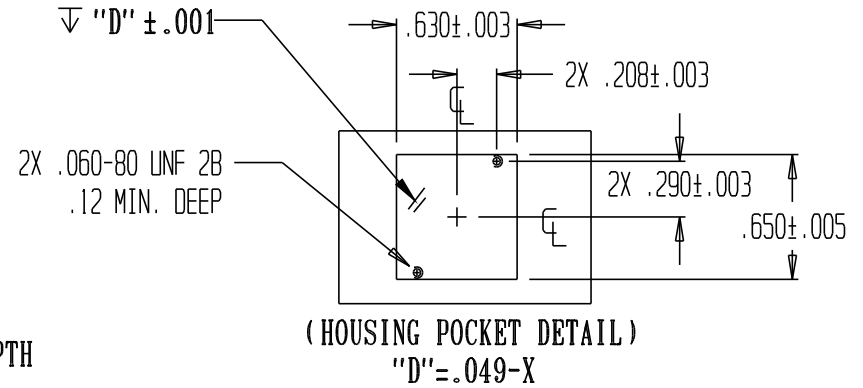
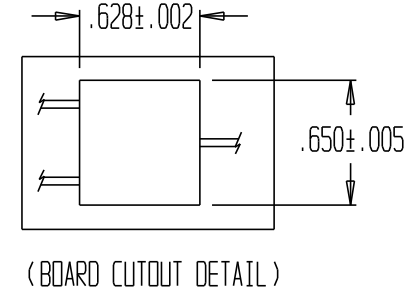
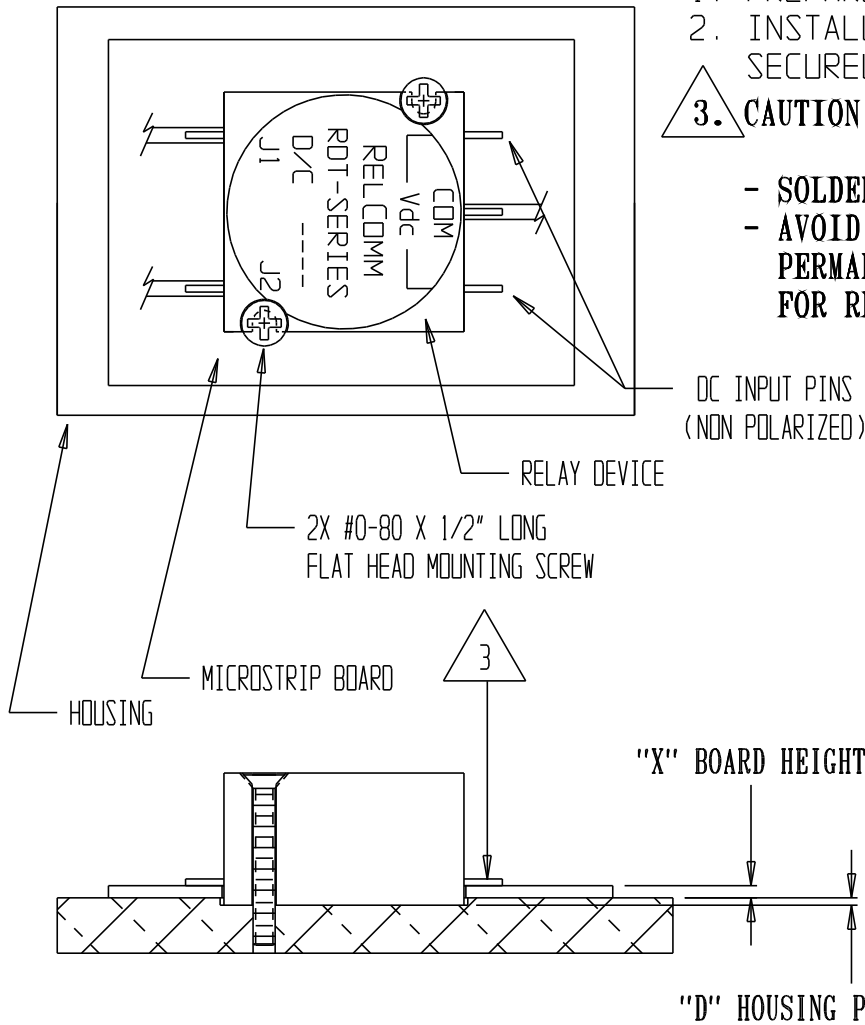
INSTALLATION NOTES:

1. PREPARE MICROSTRIP BOARD AND HOUSING AS DESCRIBED BELOW.
2. INSTALL RELAY WITH RF PINS ALIGNED WITH MICROSTRIP TRACES. SECURELY FASTEN USING MOUNTING SCREWS AS SHOWN.



3. CAUTION: APPLY ANY FORCE CREATED BY SOLDERING IRON "PERPENDICULAR" TO AXIS OF PINS TO AVOID POSSIBLE PIN MOVEMENT.

- SOLDER PINS TO TRACES USING Sn 63 SOLDER OR EQUIVALENT.
- AVOID CONTAMINATION OF FLUX, CLEANING SOLUTIONS ETC. TO RELAY AS PERMANENT DAMAGE WILL RESULT. (BATCH CLEANING IS NOT RECOMMENDED FOR RELAY IS A NON-SEALED DEVICE).



REV	ECN NO.	DATE	APPROVAL
-	CHANGED MTG SCREW TYPE	1/5/98	M. MAGDA

UNLESS OTHERWISE SPECIFIED:
DIMENSIONS ARE IN INCHES
AND INCLUDE PLATING.
TOLERANCES
.XX ± .01 ANGLES ± 5°
.XXX ± .005 SURFACE QUALITY
.XXXX ± .0020 63/ MAX

THIRD ANGLE PROJECTION

DR M. MAGDA 10/23/95
CK A. HUDSON
ENG M. MAGDA
MFG
QA
THIS DRAWING AND SPECIFICATIONS ARE THE PROPERTY OF RELCOMM TECHNOLOGIES AND SHALL NOT BE REPRODUCED OR COPIED OR USED IN WHOLE OR IN PART AS THE BASIS FOR THE MANUFACTURE OR SALE OF ITEM(S) WITHOUT WRITTEN PERMISSION.

		RELCOMM TECHNOLOGIES, INC. 1918C NORTHWOOD DRIVE SALISBURY, MARYLAND 21801	
TITLE RDT-SERIES RECOMMENDED MOUNTING DETAIL			
SIZE A	DWG NO. 15-009-01	REV -	
SCALE 1 : 1	DO NOT SCALE DWG	SHEET 1 OF 1	