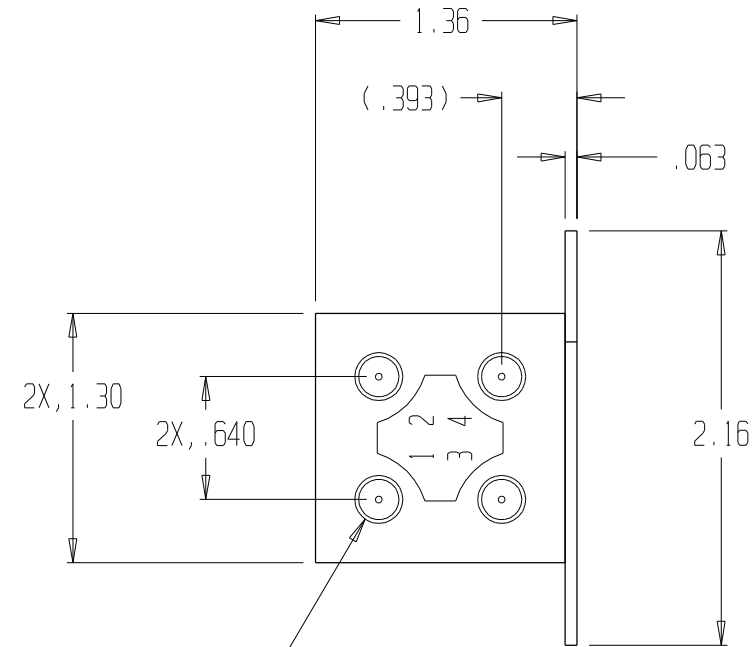
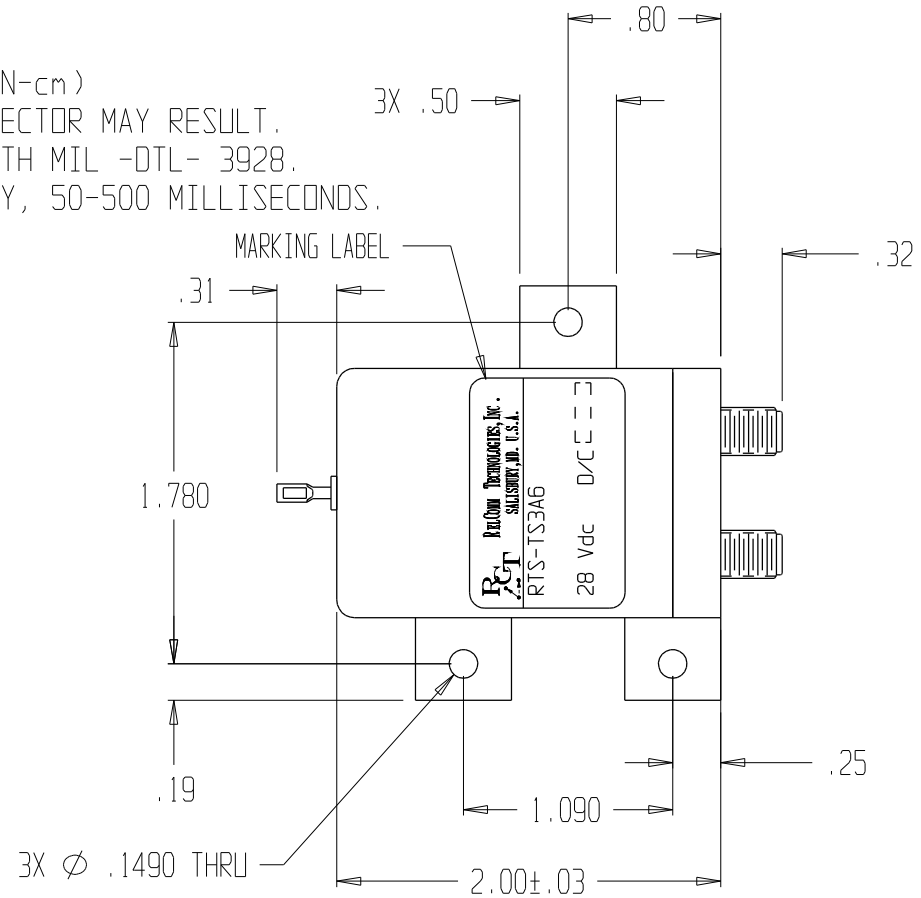
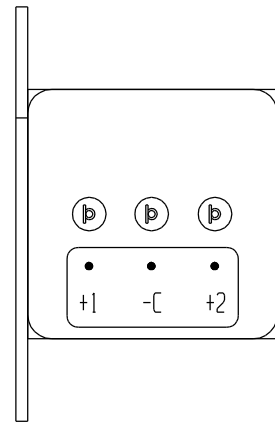
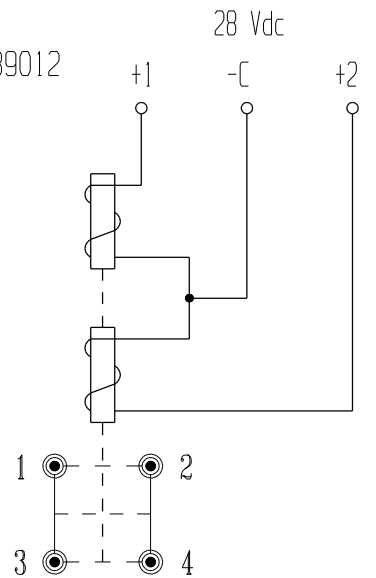


NOTES:

1. INTERPRET CALLOUTS/SYMBOLS PER ASME Y14.5M-1994
2. RECOMMENDED MATING CONNECTOR TORQUE IS 8 lb-in (90 N-cm)
DO NOT EXCEED 12 lb-in (136 N-cm) AS DAMAGE TO CONNECTOR MAY RESULT.
3. VERIFICATION OF CHARACTERISTICS ARE IN REFERENCE WITH MIL -DTL- 3928.
4. RECOMMENDED PULSE WIDTH DURATION FOR SWITCHING RELAY, 50-500 MILLISECONDS.



4X SMA CONNECTOR
MATING REQUIREMENTS PER MIL-C-39012



SCHMATIC SHOWN IN POSITION 1 (+1 ENERGIZED)
 POS. 1 1-2 3-4 (OPEN) 1-3 2-4 (CLOSED)
 POS. 2 1-3 2-4 (OPEN) 1-2 3-4 (CLOSED)

CHARACTERISTICS:

NOMINAL IMPEDANCE (OHM) -----	50			
FREQUENCY RANGE (GHz) -----	DC-1	1-2	2-4	4-6
V.S.W.R. (MAX) -----	1.10:1	1.15:1	1.20:1	1.30:1
INSERTION LOSS (dB MAX) -----	0.10	0.15	0.20	0.30
ISOLATION (dB MIN) -----	80	80	80	70
AVERAGE POWER (WATTS TYP) -----	185	120	85	60

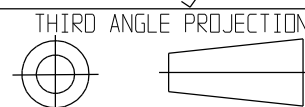
TEMPERATURE RANGE (OPERATING) --	-40° C - +85° C
TEMPERATURE RANGE (STORAGE) ----	-55° C - +100° C
SWITCHING ACTION -----	BREAK BEFORE MAKE
OPERATING VOLTAGE (OVER TEMP) --	24 - 32 Vdc
SWITCHING VOLTAGE (MIN @ 25°C) -	21 Vdc
ACTUATING CURRENT (MA MAX) -----	164 @ 28 Vdc & 25° C
SWITCHING TIME (MAX) -----	15 mSEC
LIFE (MIN PER POSITION)-----	1 * 10^6 CYCLES
WEIGHT (OZ) -----	3.6 NOM

MATERIALS/FINISH:

HOUSING -----	ALUMINUM/NICKEL
COVER -----	ALUMINUM/BLACK ANODIZED
CONNECTORS ----	STAINLESS STEEL/PASSIVATE
INSULATION ----	TEFLON
CONTACTS -----	BERYLLIUM COPPER/GOLD
TERMINALS -----	Ni-Fe/Sn-70 SOLDER

1	ECN 1702	10/28/09	A. MAGDA
REV	ECN NO.	DATE	APPROVAL

UNLESS OTHERWISE SPECIFIED:
 DIMENSIONS ARE IN INCHES
 AND INCLUDE PLATING.
 TOLERANCES
 .XX ± .02 FRACTIONS ±
 .XXX ± .010 SURFACE QUALITY
 .XXXX ± .0050 63/ MAX



DR	J. WILLIAMS 06/27/03
CK	B. JONES
ENG	M. MAGDA
MFG	
QA	
THIS DRAWING AND SPECIFICATIONS ARE THE PROPERTY OF RELCOMM TECHNOLOGIES AND SHALL NOT BE REPRODUCED OR COPIED OR USED IN WHOLE OR IN PART AS THE BASIS FOR THE MANUFACTURE OR SALE OF ITEM(S) WITHOUT WRITTEN PERMISSION.	



RELCOMM TECHNOLOGIES, INC.
 610 BEAM STREET
 SALISBURY, MARYLAND 21801

TITLE		COAXIAL TRANSFER RELAY "PULSE LATCHING"	
SIZE	DWG NO.	REV	
B	RTS-TS3A6	1	
SCALE	1 : 1	DO NOT SCALE DWG	SHEET 1 OF 1