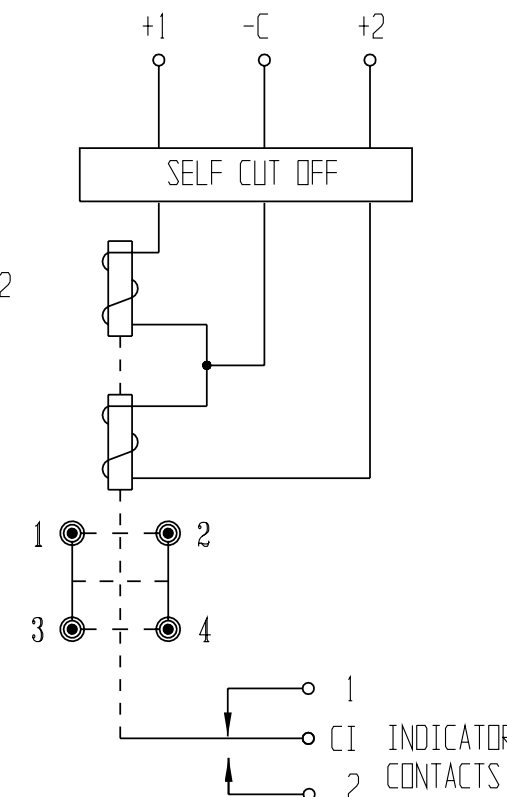
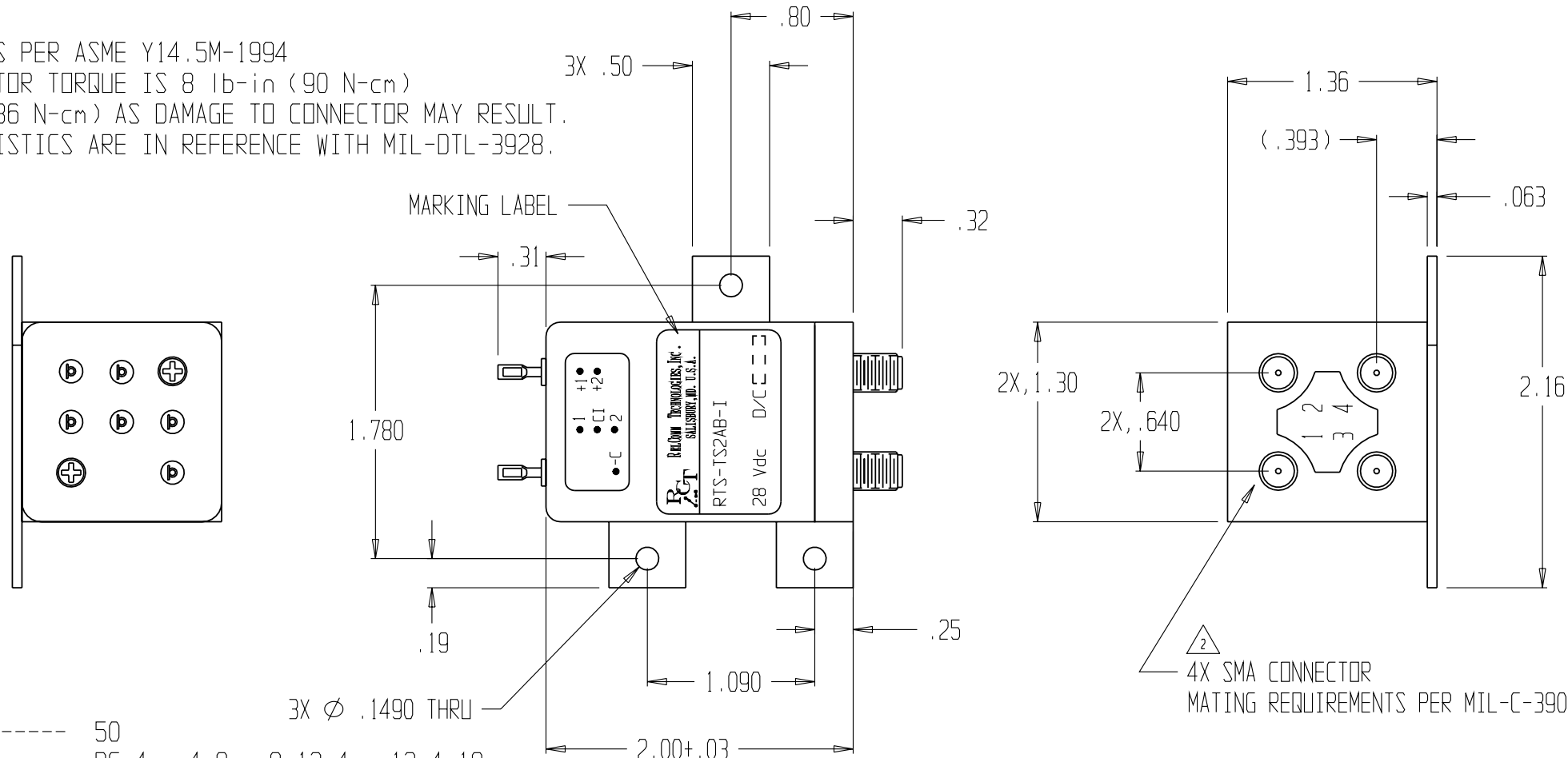


NOTES:

1. INTERPRET CALLOUTS/SYMBOLS PER ASME Y14.5M-1994
2. RECOMMENDED MATING CONNECTOR TORQUE IS 8 lb-in (90 N-cm)  
DO NOT EXCEED 12 lb-in (136 N-cm) AS DAMAGE TO CONNECTOR MAY RESULT.
3. VERIFICATION OF CHARACTERISTICS ARE IN REFERENCE WITH MIL-DTL-3928.



CHARACTERISTICS:

NOMINAL IMPEDANCE (OHM) -----	50			
FREQUENCY RANGE (GHz) -----	DC-4	4-8	8-12.4	12.4-18
V.S.W.R. (MAX) -----	1.2:1	1.3:1	1.4:1	1.5:1
INSERTION LOSS (dB MAX) -----	0.2	0.3	0.4	0.5
ISOLATION (dB MIN) -----	80	70	65	60
AVERAGE POWER (WATTS TYP) -----	85	55	45	35

TEMPERATURE RANGE (OPERATING) --	-40° C - +85° C	
TEMPERATURE RANGE (STORAGE) ----	-55° C - +100° C	
SWITCHING ACTION -----	BREAK BEFORE MAKE	
OPERATING VOLTAGE (OVER TEMP) --	24 - 32 Vdc	
SWITCHING VOLTAGE (MIN @ 25° C)-	21 Vdc	
ACTUATING CURRENT (mA MAX) -----	185 @ 28 Vdc & 25° C	
SWITCHING TIME (MAX) -----	15 mSEC	
LIFE (MIN PER POSITION)-----	1 * 10^6 CYCLES	
INDICATOR CONTACT RATING MAX----	5 WATTS TYP., 175 Vdc MAX., .25 A MAX.	
WEIGHT (OZ) -----	3.6 NOM	

SCHEMATIC SHOWN IN POSITION 1 (+1 ENERGIZED)  
 POS. 1 1-2 3-4 (OPEN)      POS. 2 1-3 2-4 (OPEN)  
 1-3 2-4 (CLOSED)      1-2 3-4 (CLOSED)

MATERIALS/FINISH:

HOUSING -----	ALUMINUM/NICKEL
COVER -----	ALUMINUM/BLACK ANODIZED
CONNECTORS ---	STAINLESS STEEL/PASSIVATE
INSULATION ---	TEFLON
CONTACTS -----	BERYLLIUM COPPER/GOLD
TERMINALS -----	Ni-Fe/Sn-70 SOLDER

7	1542	9/23/08	A. MAGDA
6	1083	7/30/03	M. MAGDA
5	917	2/7/02	B. JONES BJ
4	685	8/2/00	B. JONES BJ
3	137	10/1/96	M. MAGDA MM
2	51	3/31/95	M. MAGDA MM
1	45	1/26/95	M. MAGDA MM
REV	ECN NO.	DATE	APPROVAL

UNLESS OTHERWISE SPECIFIED:  
 DIMENSIONS ARE IN INCHES  
 AND INCLUDE PLATING.  
 TOLERANCES  
 XX ± .02 FRACTIONS ±  
 .XXX ± .010 SURFACE QUALITY  
 .XXXX ± .0050 63/ MAX  
 THIRD ANGLE PROJECTION

DR R. MANNING 1/12/95  
 CK J. LAPKE 10/8/96  
 ENG M. MAGDA 10/8/96  
 MFG  
 QA  
 THIS DRAWING AND SPECIFICATIONS ARE THE PROPERTY  
 OF RELCOMM TECHNOLOGIES AND SHALL NOT BE  
 REPRODUCED OR COPIED OR USED IN WHOLE OR IN PART  
 AS THE BASIS FOR THE MANUFACTURE OR SALE  
 OF ITEM(S) WITHOUT WRITTEN PERMISSION.

		RELCOMM TECHNOLOGIES, INC. 610 BEAM STREET SALISBURY, MARYLAND 21801	
TITLE COAXIAL TRANSFER RELAY "LATCHING" W/INDICATORS			
SIZE B	DWG NO.	RTS-TS2AB-I	
SCALE 1:1	DO NOT SCALE DWG	SHEET 1 OF 1	
		REV 7	