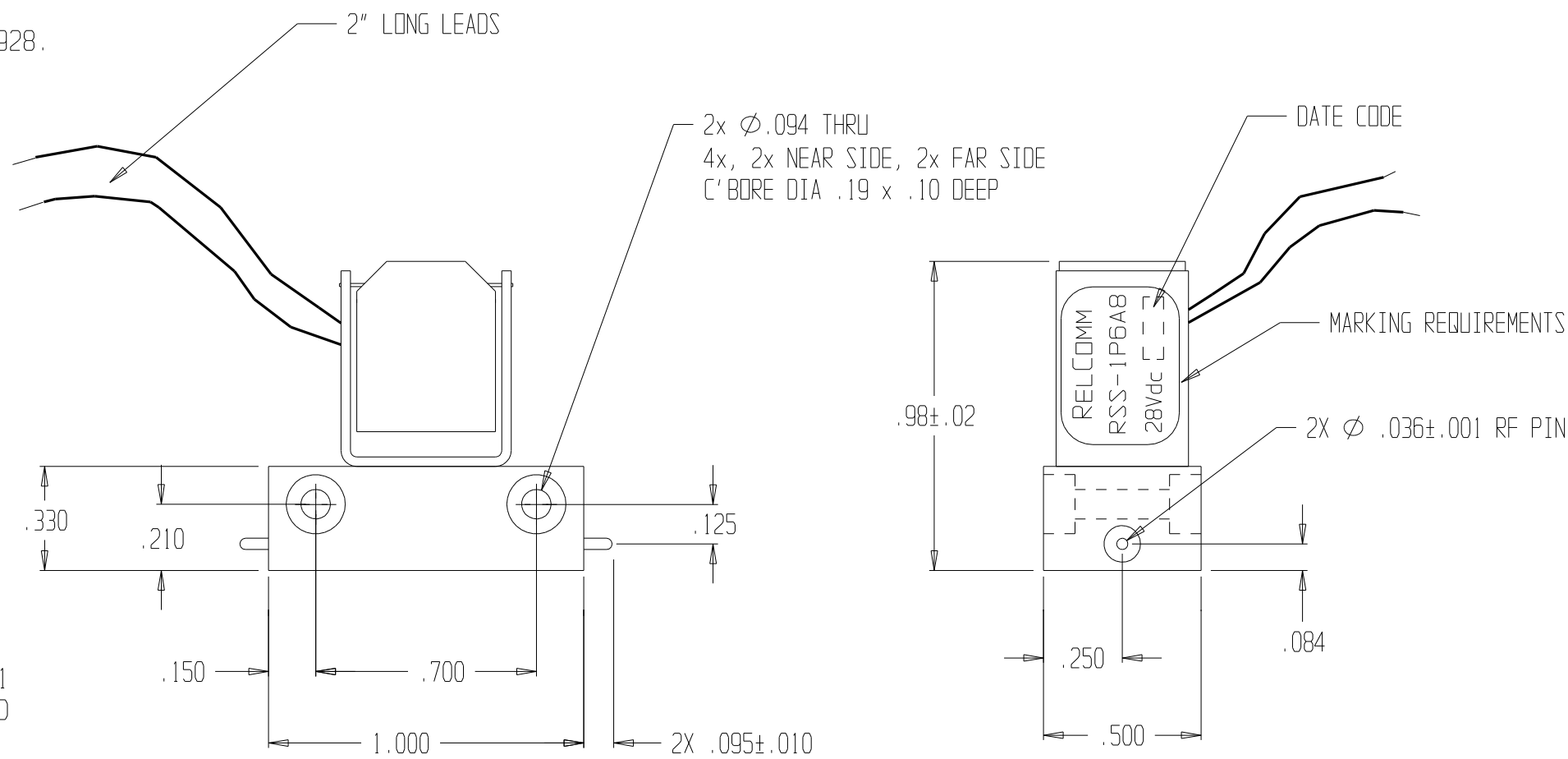


NOTES:

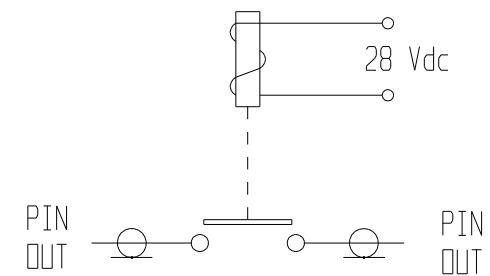
1. INTERPRET CALLOUTS/SYMBOLS PER ASME Y14.5M-1994
2. RF PERFORMANCE CHARACTERISTICS REPRESENT AN INDIVIDUAL RELAY WHEN TESTED USING FLANGE TYPE "SMA" CONNECTOR LAUNCHERS. PERFORMANCE VALUES ARE SUBJECT TO AND MAY DEVIATE BASED ON END USER DISCRETION OF PCB TO RELAY LAUNCH TRANSITION DESIGN.
3. VERIFICATION OF CHARACTERISTICS ARE IN REFERENCE WITH MIL-S-3928.



CHARACTERISTICS:

NOMINAL IMPEDANCE (OHM) -----	50			
FREQUENCY RANGE (GHz) -----	DC-1	1-2	2-4	4-8
V.S.W.R. (MAX) -----	1.1:1	1.15:1	1.2:1	1.3:1
INSERTION LOSS (dB MAX) -----	0.10	0.15	0.20	0.30
ISOLATION (dB MIN) -----	80	80	70	60
AVERAGE POWER (WATTS TYP) -----	175	100	80	65

TEMPERATURE RANGE (OPERATING) --	-30° C - +85° C
TEMPERATURE RANGE (STORAGE) ----	-55° C - +100° C
OPERATING VOLTAGE (OVER TEMP) --	21 - 30 Vdc
PICKUP VOLTAGE (MAX @ 25° C) ---	16 Vdc
DROPOUT VOLTAGE -----	> 2.0 Vdc
OPERATING CURRENT (mA MAX) -----	87 @ 28 Vdc & 25° C
SWITCHING TIME (MAX) -----	12 mSEC @ 28 Vdc & 25° C
SWITCHING ACTION -----	FAILSAFE TO OPEN
LIFE (MINIMUM)-----	1 * 10 <sup>6</sup> CYCLES
WEIGHT (OZ) -----	.7 NOM



SCHEMATIC SHOWN IN DE-ENERGIZED POSITION

MATERIALS/FINISH:

HOUSING -----	ALUMINUM/NICKEL
INSULATION ---	TEFLON
CONTACTS -----	BERYLLIUM COPPER/GOLD
PIN OUTS -----	BRASS/GOLD

1	1083	7/30/03	M.MAGDA
REV	ECN NO.	DATE	APPROVAL

UNLESS OTHERWISE SPECIFIED:  
DIMENSIONS ARE IN INCHES  
AND INCLUDE PLATING.  
TOLERANCES  
.XX  $\pm$  .01 FRACTIONS  $\pm$   
.XXX  $\pm$  .005 SURFACE QUALITY  
.XXXX  $\pm$  .0020 63/ MAX  
THIRD ANGLE PROJECTION

DR J.WILLIAMS	01/30/03
CK M.MAGDA	2/4/03
ENG B.JONES	1/31/03
MFG	
QA	

THIS DRAWING AND SPECIFICATIONS ARE THE PROPERTY OF RELCOMM TECHNOLOGIES AND SHALL NOT BE REPRODUCED OR COPIED OR USED IN WHOLE OR IN PART AS THE BASIS FOR THE MANUFACTURE OR SALE OF ITEM(S) WITHOUT WRITTEN PERMISSION.

		<b>RELCOMM TECHNOLOGIES, INC.</b> 610 BEAM STREET SALISBURY, MARYLAND 21801	
<b>EXCELLENCE BY DESIGN</b>		TITLE COAXIAL 1P1T RELAY "FAILSAFE TO OPEN"	
SIZE B	DWG NO. RSS-1P6A8	REV 1	
SCALE 2:1	DO NOT SCALE DWG	SHEET 1 OF 1	