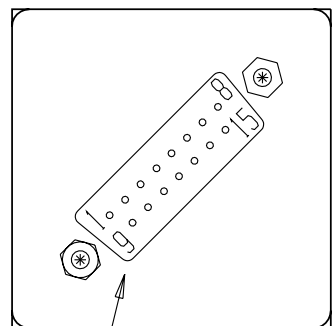
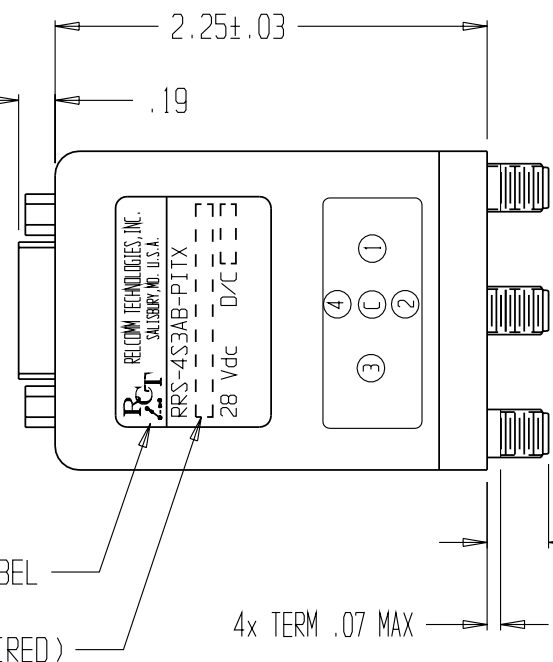


NOTES:

1. INTERPRET CALLOUTS/SYMBOLS PER ASME Y14.5M-1994
2. RECOMMENDED MATING CONNECTOR TORQUE IS 8 lb-in (90 N-cm)
DO NOT EXCEED 12 lb-in (136 N-cm) AS DAMAGE TO CONNECTOR MAY RESULT.
3. A 50 MILLISECOND MIN PULSE IS RECOMMENDED TO CHANGE POSITION
4. VERIFICATION OF CHARACTERISTICS ARE IN REFERENCE WITH MIL-DTL-3928.

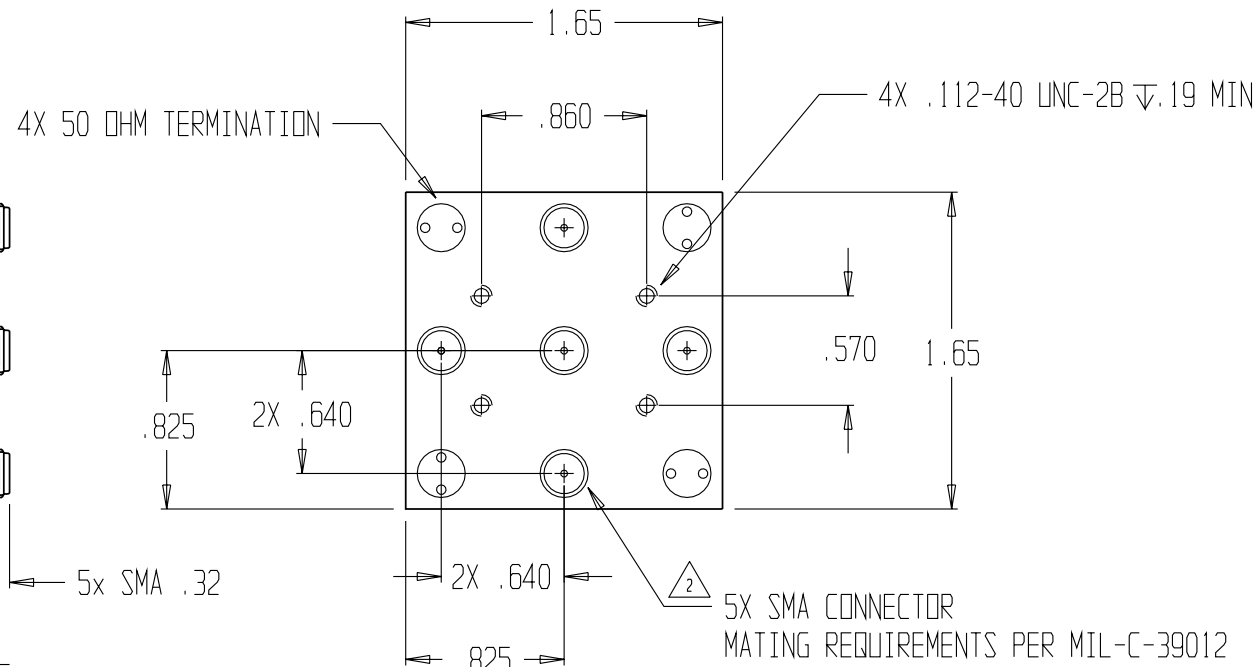


DA15P CONNECTOR



MARKING LABEL

CUSTOMER P/N (IF REQUIRED)

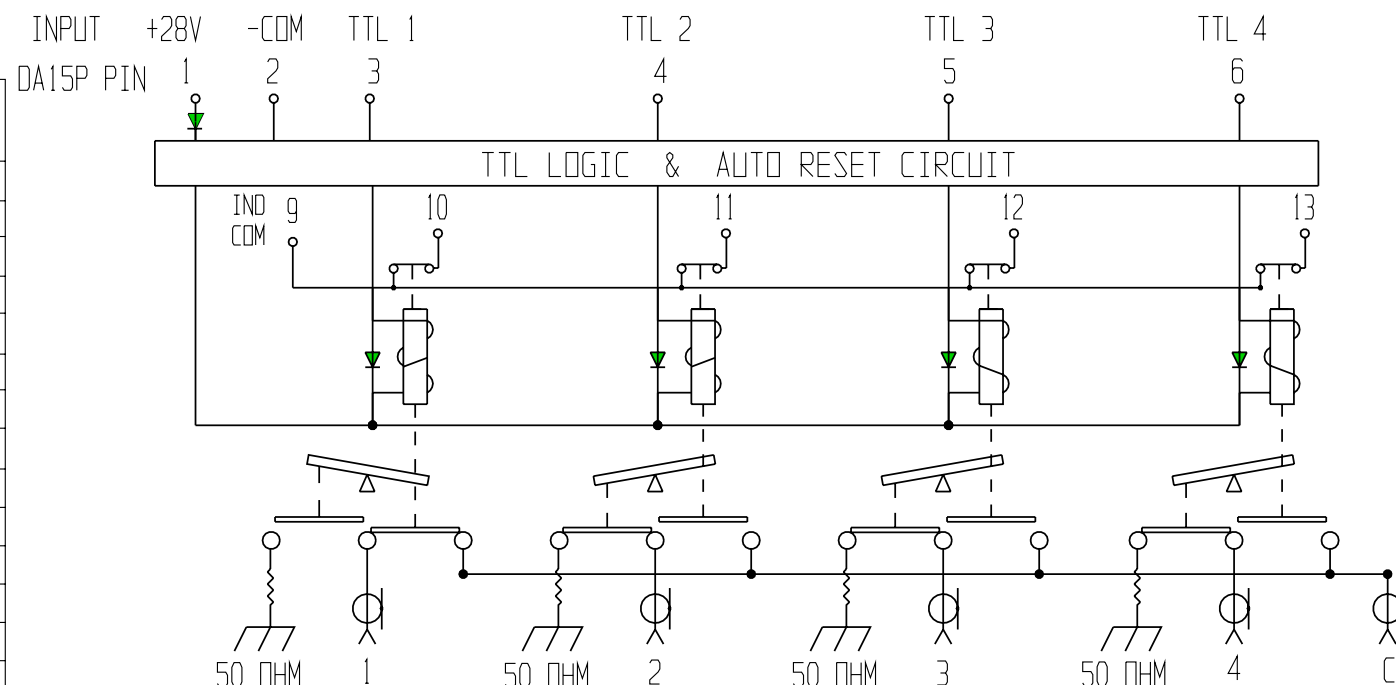


CHARACTERISTICS:

NOMINAL IMPEDANCE (OHM)	50			
FREQUENCY RANGE (GHz)	DC-3	3-8	8-12.4	12.4-18
V.S.W.R. (MAX)	1.20:1	1.30:1	1.40:1	1.50:1
INSERTION LOSS (dB MAX)	0.20	0.30	0.40	0.50
ISOLATION (dB MIN)	80	70	60	60
TERMINATION INPUT POWER	2 WATTS MAX			
VSWR THRU TERMINATION	1.8:1 MAX			

TEMPERATURE RANGE (OPERATING)	-40°C - +85°C
TEMPERATURE RANGE (STORAGE)	-50°C - +90°C
SWITCHING ACTION	MAKE BEFORE BREAK
OPERATING VOLTAGE (OVER TEMP)	24 - 32 Vdc
SWITCHING VOLTAGE (MIN @ 25°C)	21.0 Vdc
ACTUATING CURRENT (MA MAX)	155 @ 28 Vdc & 25°C
SWITCHING TIME (MAX)	15 μSEC
LIFE (MIN PER POSITION)	1 * 10 ⁶ CYCLES
WEIGHT (OZ)	6.0 NOM
TTL LOGIC	ON STATE: 2.4 - 5.5 V OFF STATE: 0 - 0.8 V
INDICATOR CONTACT RATING	3W MAX, 150V, .25A

DA15P PIN	TERMINAL FUNCTION	RF CONTACTS
1	+28 VDC	
2	- COM	
3	LOGIC 1	C-1
4	LOGIC 2	C-2
5	LOGIC 3	C-3
6	LOGIC 4	C-4
7	SPARE	
8	SPARE	
9	IND COM	
10	IND POS 1	
11	IND POS 2	
12	IND POS 3	
13	IND POS 4	
14	SPARE	
15	SPARE	



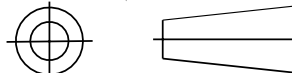
SCHEMATIC SHOWN IN POSITION 1 (TTL 1 LAST PULSED)

MATERIALS/FINISH:

HOUSING	ALUMINUM/NICKEL
COVER	ALUMINUM/BLACK ANODIZED
CONNECTORS	STAINLESS STEEL/PASSIVATE
INSULATION	TEFLON
CONTACTS	BERYLLIUM COPPER/GOLD PER MIL-G-45204 GRADE A & C

UNLESS OTHERWISE SPECIFIED:
DIMENSIONS ARE IN INCHES
AND INCLUDE PLATING.
TOLERANCES
.XX ±.02 FRACTIONS ±
.XXX ±.010 SURFACE QUALITY
.XXXX ±.0050 63/ MAX

THIRD ANGLE PROJECTION



DR	B. JONES	03/23/06
CK	B. JONES	
ENG	M. MAGDA	
MFG		
QA		

RELCOMM TECHNOLOGIES, INC.
610 BEAM STREET
SALISBURY, MARYLAND 21801

EXCELLENCE BY DESIGN

THIS DRAWING AND SPECIFICATIONS ARE THE PROPERTY OF RELCOMM TECHNOLOGIES AND SHALL NOT BE REPRODUCED OR COPIED OR USED IN WHOLE OR IN PART AS THE BASIS FOR THE MANUFACTURE OR SALE OF ITEM(S) WITHOUT WRITTEN PERMISSION.

TITLE		COAXIAL RELAY 1P4T TERMINATED "PULSE LATCHING" W/TTL & IND	
SIZE	DWG NO.	RRS-4S3AB-PITX	
B	1		
SCALE	1 : 1	DO NOT SCALE DWG	SHEET 1 OF 1

REV	ECN NO.	DATE	APPROVAL
1	ECN 1802	11/17/10	B. JONES
-	ECN 1349 RELEASE	06/12/06	B. JONES
A	PRELIMINARY	03/23/06	B. JONES